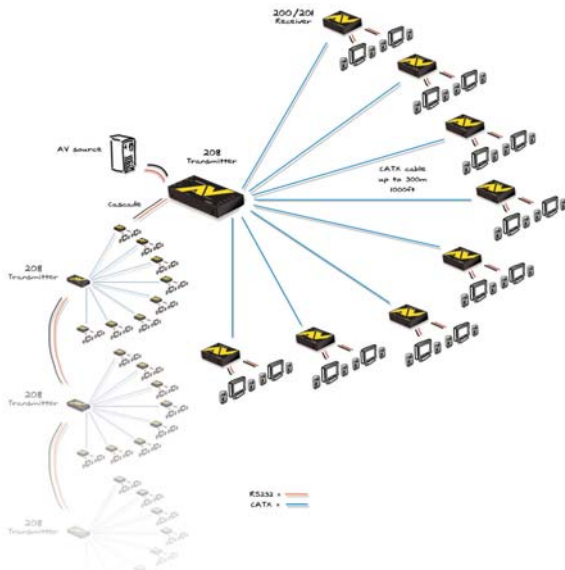




ADDERLINK AV200 Series

Distribute crisp, clear and bright video, CD quality audio and transparent RS232 from a single PC to 64 screens up to 300m/1000ft from a play out device. Ideal for Digital Signage and Media Streaming applications.

The AdderLink AV200 Series is a range of audiovisual extenders delivering high video resolutions, superb quality audio and RS232 up to 300m using standard CATx cable (x=5,5e,6,7). The innovative design allows for flexible audiovisual distribution, management, control and interaction with the display devices which can be expanded to grow in line with project developments. Consisting of five interchangeable units, the AdderLink AV200 Series makes the design of digital signage and narrow casting applications cost effective, flexible and easy to plan.



AdderLink AV200T transmitter and AdderLink AV200R

- Sold individually or as a pair (AdderLink AV200P)
- Local port on transmitter to connect local screen, speakers and serial or for cascading
- AdderLink AV200R duplicates input from transmitter allowing for 2 video and 2 audio outputs
- Control or manage either screen via RS232

AdderLink AV204T and AdderLink AV208T transmitters

- Extends a single high-resolution video, high fidelity audio and RS232 signals to 4 (AV204T) or 8 (AV208T) different receivers
- Local port to connect local screen, speakers and serial or to cascade to other AdderLink AV204T or AV208T transmitter units

AdderLink AV201R receiver unit

- Duplicates input from transmitter allowing for 2 video, 2 audio outputs
- Control or manage either screen via RS232
- Features integrated DeSkew

FEATURES

Video performance

Industry leading resolutions of 1600x1200 are achievable at 200m (650ft) and 1280x1024 at 300m (1000ft).

Video compensation

The AdderLink AV units apply a high level of signal compensation that allows for a greatly increased range of very smooth and fine adjustments.

Sharpness and brightness control

All receivers have independent sharpness and brightness controls to ensure that the image is crisp, clear and bright, regardless of the distance.

Audio

Digital audio transmission delivers high fidelity, clickless audio for speakers.

Integrated DeSkew

The AdderLink AV201R has integrated skew correction with a 300MHz bandwidth, meaning that it is more than powerful enough to counteract the negative effects of the skew.

Rack options

Both transmitter and receiver units can be used standalone or can be mounted into a 3U chassis. (up to 16 200T, 200R and 201T units or 8 204T and 208T units).



ADDERLINK AV200 Series



High-resolution video and superb quality audio distribution for Digital Signage and Media Streaming applications.

TECHNICAL SPECIFICATIONS

Video resolutions	1900x1440 at distances up to 50m (150ft), 1600x1200 at distances up to 200m (650ft), 1280x1024 at distances up to 300m (1000ft)
Extension distance (x=5,5e,6,7)	Up to 300m (1000ft) using CATx
Optional accessories	ALAV - Series rack mount chassis (part code: ALAVRMK-CHASSIS), rack mount plate for local/remote unit (part codes: ALAV-RMK-FASCIA). Adder 4A power supply and 'squid' cable to power 4 ALAV units (part code ALAV-PDM-KIT)
Audio	Transmitted as digital signals to ensure high fidelity and low noise levels
Connectors	AV200T Video In/Out: HDD15. Audio In/Out: 3.5mm audio jack. RS232 in: DB9F out: DB9M. CATx: 1 x RJ45 connector. Power: 2.5mm DC jack AV200R Video Out: 2 x HDD15. Audio Out: 2 x 3.5mm audio jack. RS232 Out: DB9M*. CATx: 1 x RJ45 connector. Power: 2.5mm DC jack AV201R Video Out: 2 x HDD15. Audio Out: 2 x 3.5mm audio jack. RS232 Out: DB9M*. CATx: 1 x RJ45 connector in. Power: 2.5mm DC jack AV204T Video In/Out: HDD15. Audio In/Out: 3.5mm audio jack. RS232 in: DB9F out: DB9M. CATx: 4 x RJ45 connector. Power: 2.5mm DC jack AV208T Video In/Out: HDD15. Audio In/Out: 3.5mm audio jack. RS232 in: DB9F out: DB9M. CATx: 8 x RJ45 connector. Power: 2.5mm DC jack (VSC36)
	* AV200R and AV201R units only have single RS232 interface but optional 'Y' cable enables two RS232 links to be made
Physical	AdderLink AV200T, 200R and 201R units: Metal case (steel), 98mm x 95mm x 25mm AdderLink AV204T, AV208T units: Metal case (steel) 185mm x 95mm x 51mm
Power supply	100-240VAC, 50/60Hz
Operating temperature	0°C to 40°C / 32°F to 104°F
Approvals	CE, FCC

Local, Remote and Global Computer Control



ADDER CORPORATION
29 Water Street, Newburyport, MA 01950 USA
Tel: +1 888 932 3337 Fax: +1 888 275 1117
email: usasales@adders.com www.adder.com

ADDER TECHNOLOGY LIMITED
Technology House, Trafalgar Way, Bar Hill, Cambridge, CB3 8SQ UK
Tel: +44 (0)1954 780044 Fax: +44 (0)1954 780081
email: sales@adder.com www.adder.com